

ARP-3619AP-E01-003

Panel Mount Thin Client Panel PC with 19 inch
5-Wire Resistive Touch

Features

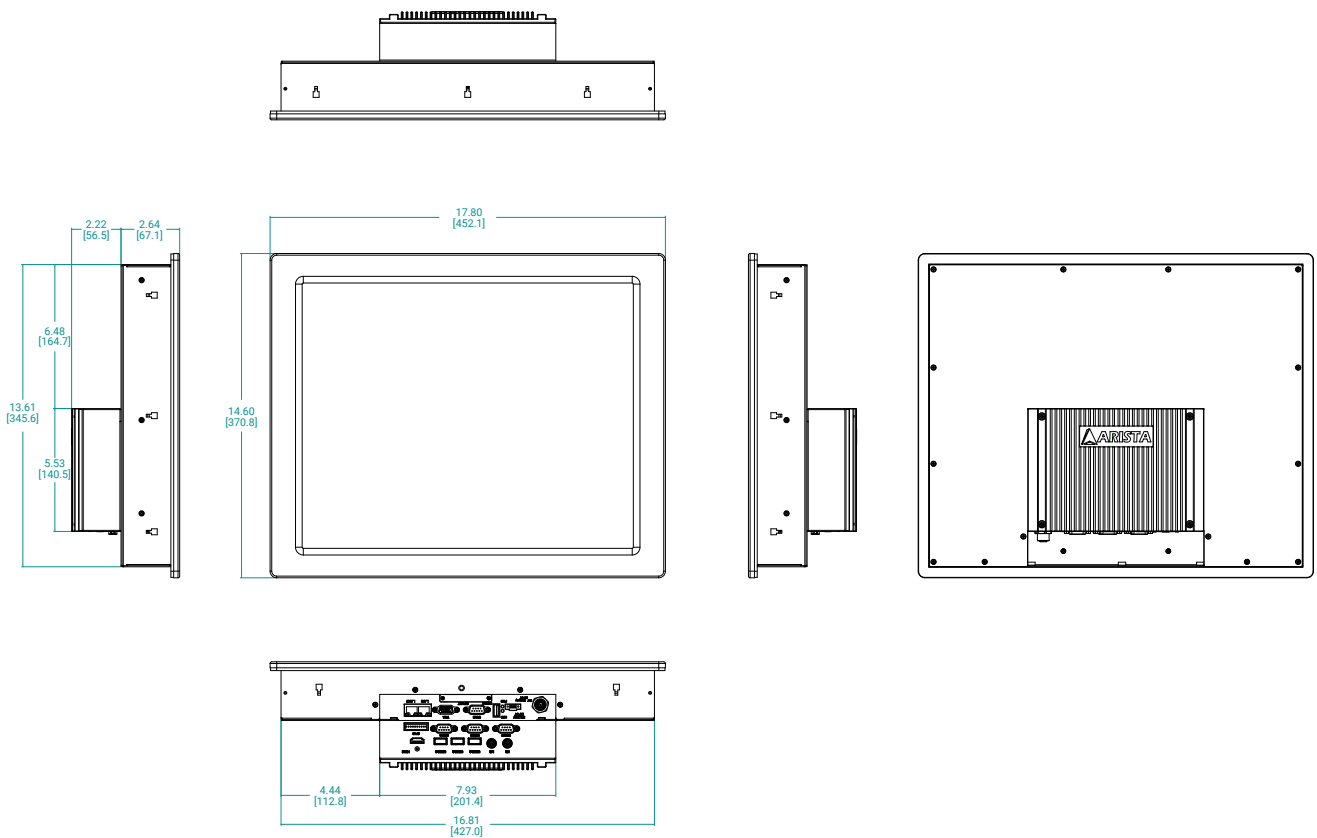
- 19" LCD, 1280 x 1024 Resolution
- 5-Wire Resistive Touch
- Aluminum or Stainless-Steel Bezel
- Intel Celeron J1900 @ 1.99GHz / Atom E3845 @ 1.91GHz CPU
- 4GB DDR3 SO-DIMM
- Dual Gigabit Ethernet
- 4 x RS-232/422/485 BIOS Selectable
- 1 x USB 3.0, 3 x USB 2.0 ports

Specifications

Model Name	ARP-3619AP-E01-003
LCD Display	
Display Size (Diagonal)	19.0 inch
Max Resolution	1280 x 1024
Backlight Lifetime (Hours)	50,000 hours
Visual Characteristics	
Colors	16.7 million
Aspect ratio	5:4
Viewing angle (V/H)	160° / 170°
Contrast ratio	1000 : 1
Brightness	450 nits (Typical)
Touchscreen	
Technology	5 Wire Resistive
Interface	USB
Driver	ThinManager Supported Driver
Front Bezel	
NEMA 4	Black Powder Coated Aluminum
NEMA 4x	Stainless Steel (Optional)
System	
CPU	Intel Celeron J1900 @ 1.99GHz / Atom E3845 @ 1.91GHz CPU
Chipset	Bay Trail
Memory	4GB DDR3 SO-DIMM
Video Controller	Intel Gen7 Intel Graphics DX 11, OGL3.2
External Video Output	VGA, HDMI
Storage Option	N/A
CFast Card	N/A
Keyboard / Mouse	USB / PS2
Audio	N/A
Watchdog Timer	Programmable 1 - 255 sec
Remote Boot	ThinManager Ready, PXE
Expansion Slot	Mini PCIe x 2
I/O Communication	
USB Port	1 x USB 3.0, 3 x USB 2.0
Serial Port	4 x RS-232/422/485 BIOS Selectable
IEEE 1394	N/A
LAN	2 x Gigabit
Parallel	N/A
GPIO	N/A
Smart Battery	
External Smart Battery	Optional
OS Support	
OS Support	N/A
Power/Thermal Specs	
Power Requirement (Max)	24VDC / 1.8A
Power Consumption (Max)	43 W
Recommended Power Supply	65 W
Heat Dissipation	147 BTU/hr
Physical Information	
Mounting	Panel Mount
Net Weight	18 Lbs / 8.16 Kg
Dimension (W x H x D)	17.80 x 14.60 x 4.86 inch 452.10 x 370.80 x 123.60 mm
Recommended Cutout Dimension (WxH)	17.00 x 13.80 inch 431.80 x 350.50 mm
Environmental	
Operating Temperature	0~50°C (32s~122°F)
Storage Temperature	-20~60°C (-4~140°F)
Relative Humidity	0~95%
IP/NEMA Rating	Bezel meets NEMA 4/4X requirement
Certification	UL 61010

Dimension Drawing

ARP-3619AP-E01-003
Size Unit: inch(mm)



Ordering Information

Item	ARP-3619AP-E01-003	ARP-3619AP-E01-007
LCD Display	19.0" LCD / 1280 x 1024	19.0" LCD / 1280 x 1024
Touch Screen	5-Wire	5-Wire
Bezel	Black Powder Coated Aluminum	Stainless Steel
CPU	Intel Celeron J1900 @ 1.99GHz / Atom E3845 @ 1.91GHz CPU	Intel Celeron J1900 @ 1.99GHz / Atom E3845 @ 1.91GHz CPU
Memory	4GB DDR3	4GB DDR3
Storage	N/A	N/A
Remote Boot	ThinManager Ready	ThinManager Ready
Power Supply	110/220VAC Input DIN-Rail	110/220VAC Input DIN-Rail